

SJ120 Series Single Axis Joystick

Product Features

- Single-axis control on fore-and-aft direction
- Fingertip control, spring return
- Small size, easy to install
- Hall effect sensor for angular-detecting
- Customize output voltage range



Application

Typical application on remote control unit, off-highway vehicle and industrial panel control.

Technical Information

Electrical data

Power Supply	
Power supply	<32Vdc
Total resistance	4K Ω or 5K Ω
Resistance tolerance	<20%
Electrical angle Center	$\pm 28^\circ$
tap angle	$\pm 2.5^\circ$
Dissipation(max)	0.25W (25°C, no-load)
Center tap output voltage	48%~52% ($\pm 2\%$)
Directional switch	
Power supply	<35Vdc
Maximum current	2mA

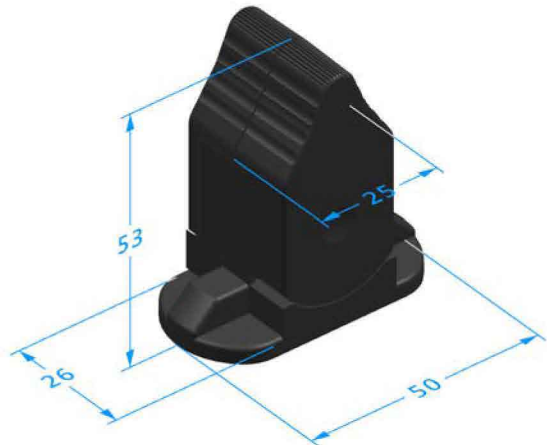
Mechanical features

Travel angle	about $\pm 30^\circ$
Operating type	Spring return
Breakout force	1.3N
Operating force(max)	3N
Maximum allowable force	>50N
Expecting life	>2 million cycles (Potentiometer) >5 million cycles (Hall)
Weight	45g

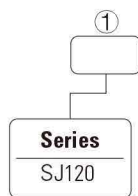
Environmental data

Operating Temperature	-30°C~+70°C
Storage Temperature	-40°C~+85°C
Protection level	IP65 (Form above when mounted)

Dimensions

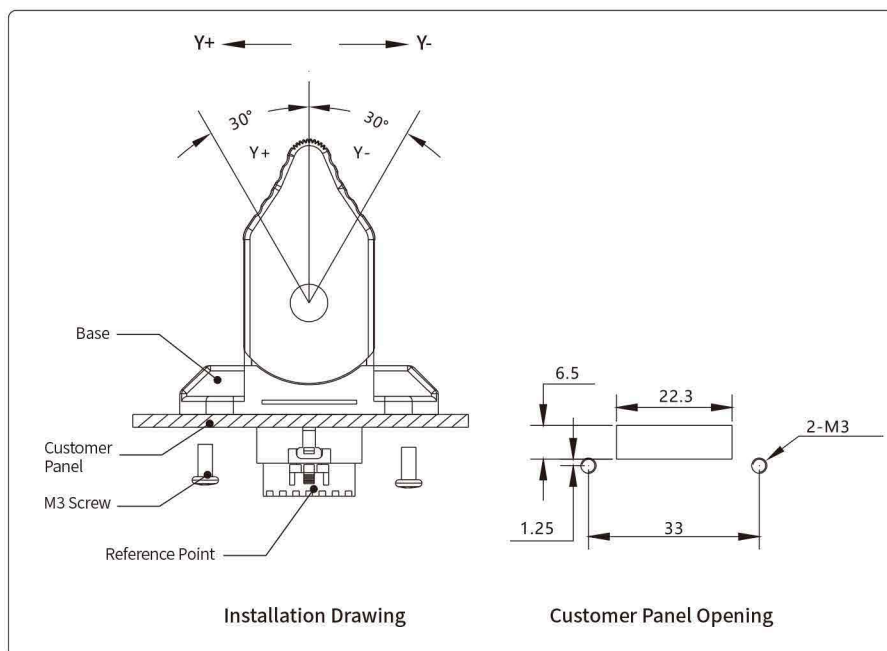


Product Configuration



Output signal	
Potentiometer Power Supply<32Vdc	
P041	(4K Ω , 0% ~ 100%Vdc Voltage Output, Forward and backward switch)
P052	(5K Ω , 10% ~ 90%Vdc Voltage Output, Forward and backward switch)
P053	(5K Ω , 25% ~ 75%Vdc Voltage Output, Forward and backward switch)

Product Installation



Electrical Connections

Connection List
(FCI DUBOX™ 7Pin Connection plug 76382-307)

Pin	Potentiometer	Color
A	Center tap	Red
B	VCC	Blue
C	Wiper output signal	Black
D	GND	White
E	Switch terminal (X+)	Yellow
F	Switch terminal (X-)	Green
G	COM	Gray

