

SJ800 Industrial joystick

Product Features

- Spring automatically resets.
- Single-axis, dual-axis, and multidirectional operation.
- Can be operated with a single button.
- Simple structure and easy installation.
- High-quality imported switch, rated for 250V 3A/125V 5A current.

Application

The SJ800 industrial joystick is suitable for various systems, including electric vehicle motion control, electric wheelchair control, robotics, human-machine remote video operation systems, industrial control, heavy-duty mobile machinery, measurement systems, navigation systems, studio stage lighting equipment, and military equipment.

Technical Information

Environment Parameter

Storage temperature	-25°C ~ +80°C
Operating temperature	-25°C ~ +80°C

Mechanical Parameter

Mechanical angle	Hall: $\pm 20^\circ$
Operating torque	1N (50Nmax)
Mechanical life	5 million
Mechanical error	$\pm 0.5^\circ$

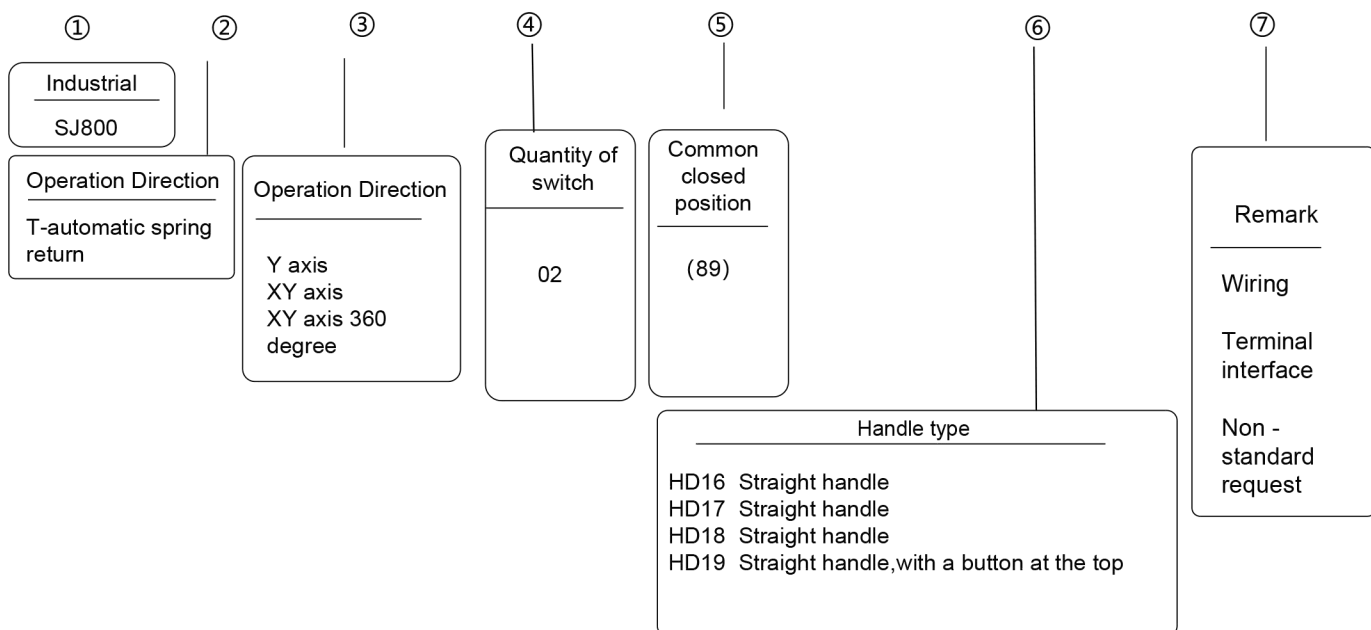
Electrical Parameters

Hall

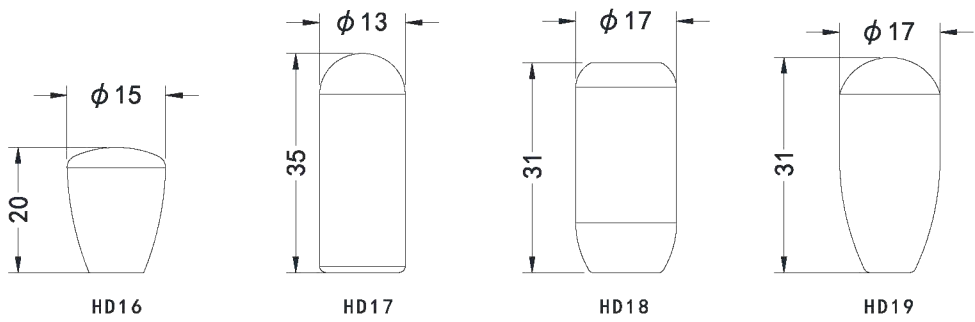
Power supply voltage	125V/5A 250V/3A
----------------------	-----------------



PRODUCT CONFIGURATION



PRODUCT INSTALLATION



Self lock button BS1
Self return button BT1

