

SJ80 Series Multi Axis Joystick

Product Features

- Heavy-duty industrial joystick;
- Spring return, single axis or two axis operation;
- Single or double grip available;
- Upper grip with vibrator optional;
- Hall sensor angle detection;
- Various output are available.

Application

Cranes, loaders, excavators, etc

Technical Information

Electrical data

Hall	
Power supply	5 ± 0.5Vdc
Supply current (nominal power supply)	<11 mA (Single axis)
Maximum allowable overload voltage	20Vdc
Reverse maximum allowable voltage	-10Vdc
Output linearity tolerance	< ± 0.2V
CANBUS	
Power supply	9~36Vdc
CAN edition	CAN2.0B
Protocol	J1939
Terminal	6 Pin (Deutsch)

Installation

Travel angle	± 20°
Operating type	Spring return
Breakout force	3N
Operating force(max)	8N
Maximum allowable force	>300N
Expecting life	3 million cycles
Weight	1500g

Environmental data

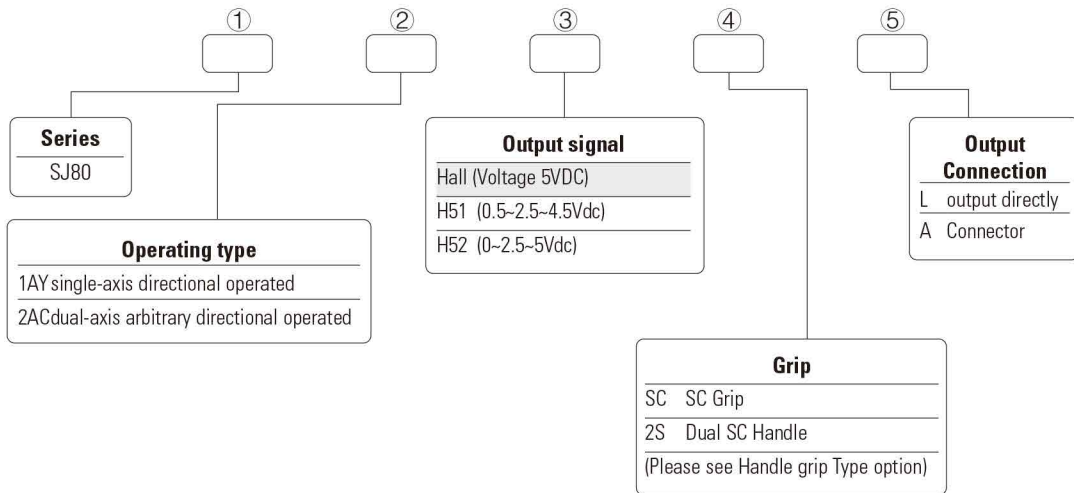
Operating Temperature	-30C~+70°C
Storage Temperature	-40°C~+85°C
Protection level	IP65 (Above the flange)



Dimensions

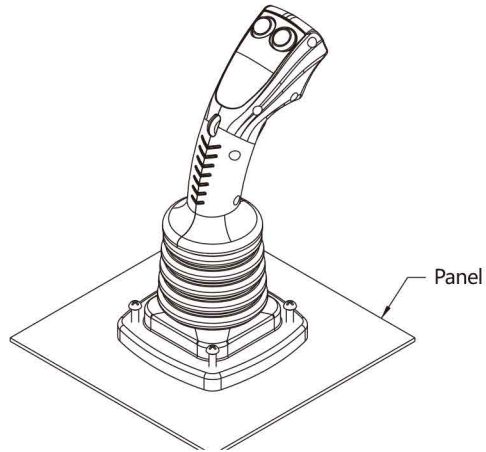
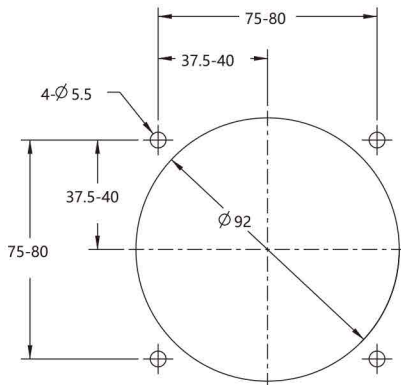


Product Configuration



Product Installation

Hole pattern



Electrical Connections

Deutsch connector

Pin	CAN output	Color
1	GND	Black
2	VCC	Red
3	CAN High	Yellow
4	CAN Low	Green
5	CAN shield	N/A
6	N/A	N/A