

# SJ300 Industrial joystick

## Product Features

- Modular design.
- Single and double-axis friction positioning with self-locking in the middle position.
  - Pure silver contacts to ensure product lifespan.
- Rated current up to 380V 10A for reliable performance.
- Lifespan exceeding 5 million cycles.
- Installation board meets the IP64 protection level or higher.

## Application

The SJ300 series industrial joystick is primarily used in AC voltage circuits of 50Hz and 60Hz with a voltage of 380V, as well as in DC voltage circuits up to 220V. It is designed for controlling motor starting, speed regulation, direction changing, and braking in crane transportation mechanisms and electrical control equipment. This product is mainly applied in environments such as seaports, docks, coal mines, or outdoor operations.

### Environment Parameter

Storage temperature	-50°C ~+80°C
Operating temperature	-40°C ~+80°C
Protection grade	IP64

### Mechanical Parameter

Mechanical angle	Potentiometer: $\pm 32^\circ$ , Hall: $\pm 20^\circ$
Operating torque	5N (50Nmax)
Mechanical life	5 million
Mechanical error	$\pm 0.5^\circ$

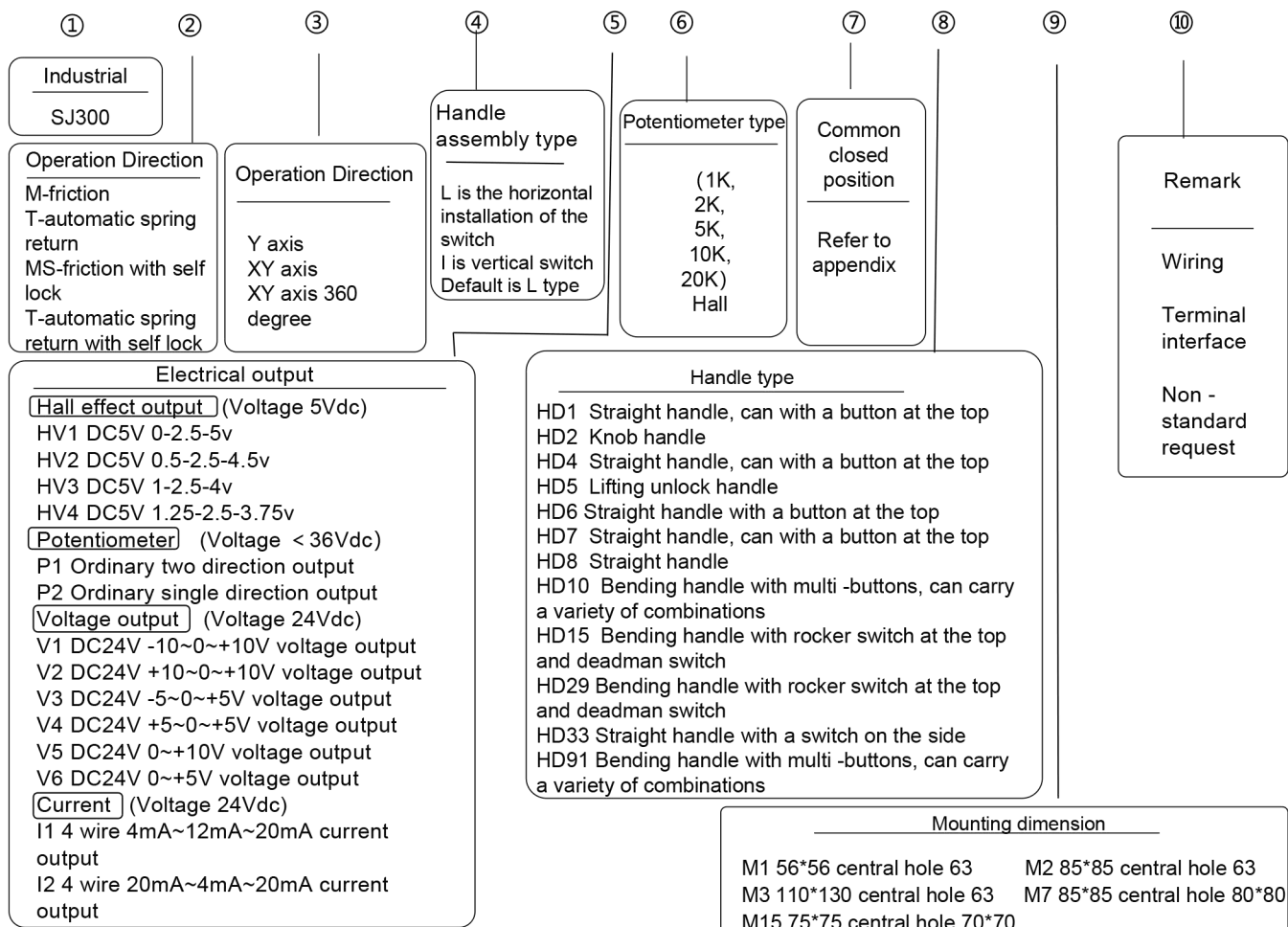
### Electrical Parameters

#### Hall

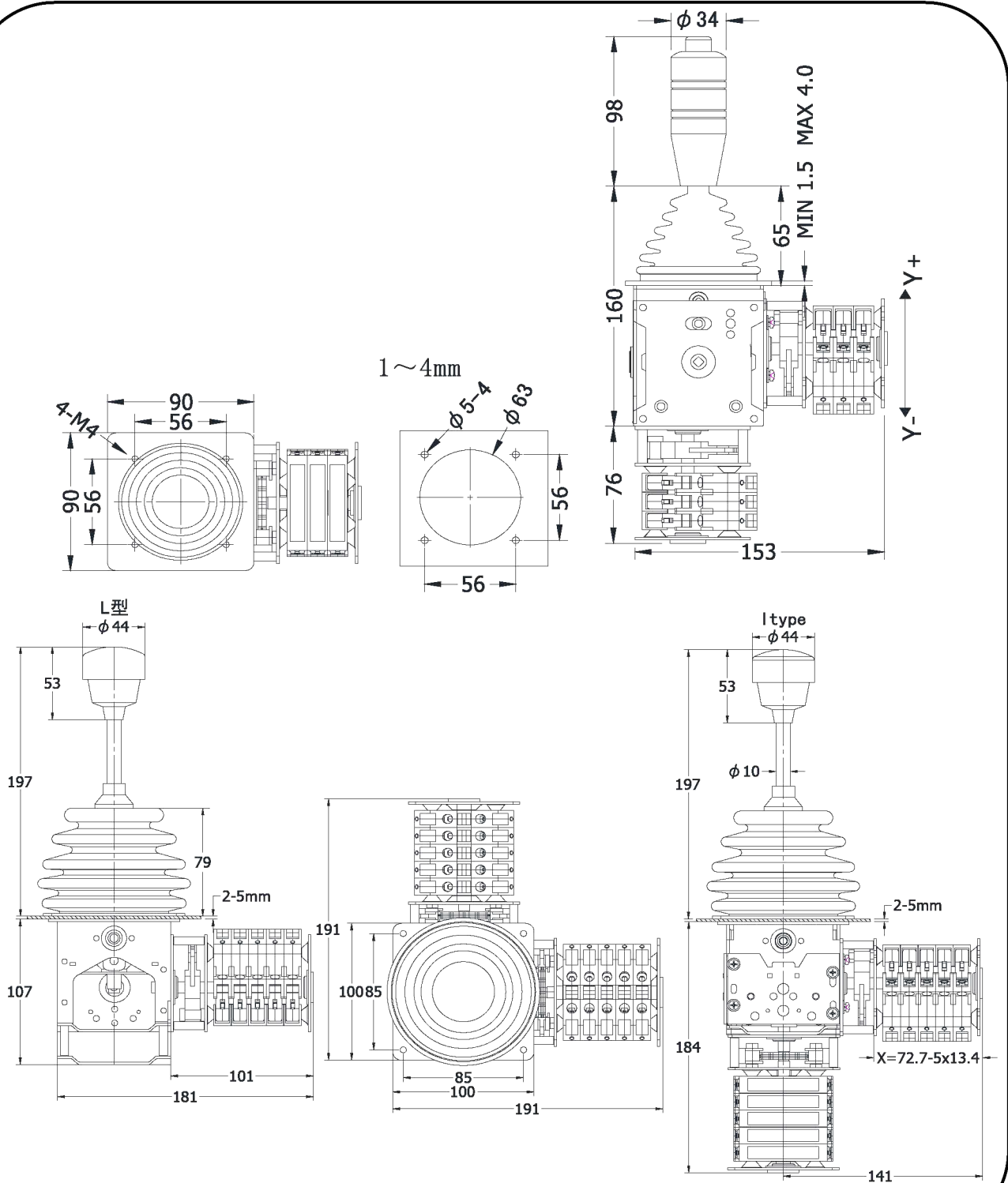
Power supply voltage	220V/380V
Power consumption of current	10 A

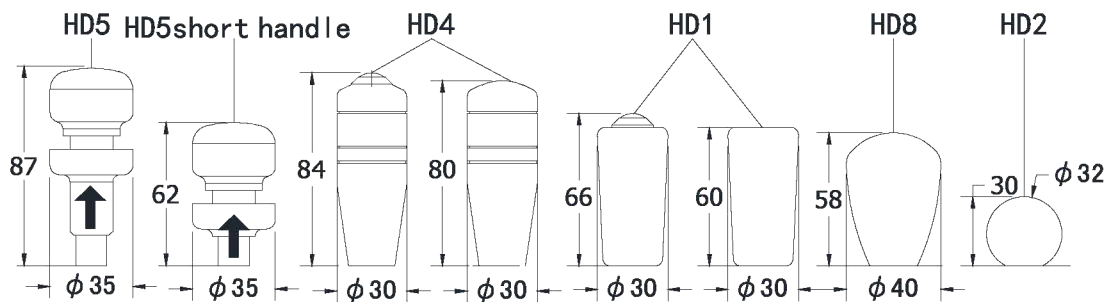
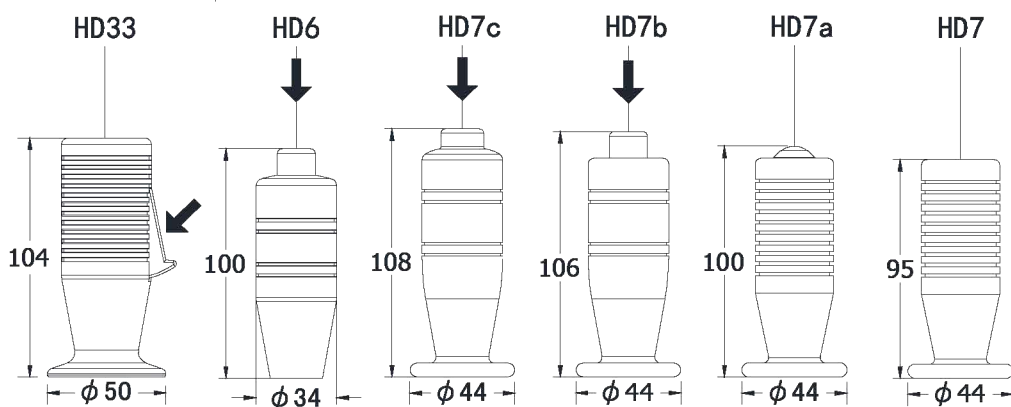
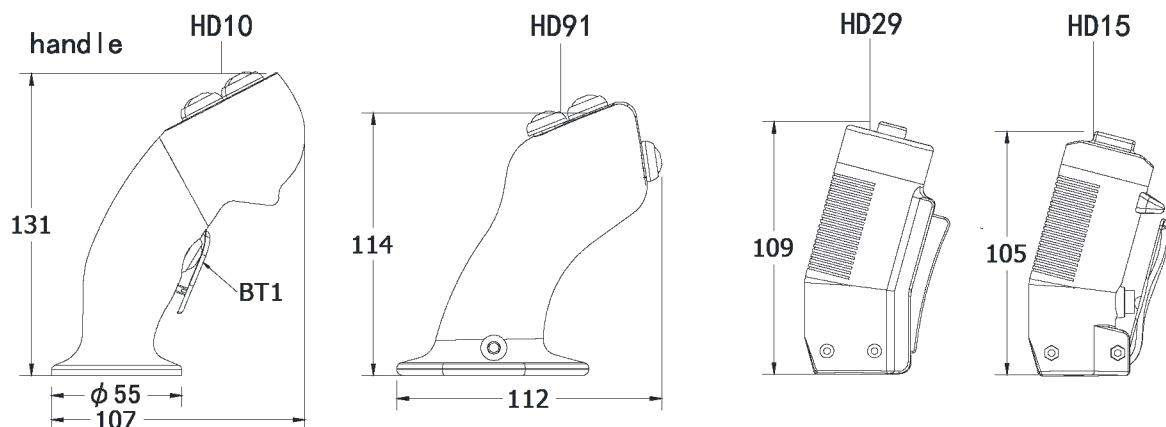


## PRODUCT CONFIGURATION



## PRODUCT INSTALLATION





Mounting dimension

M1

M2

M5

M17

M3

