

# SJ3 Series Single Axis Joystick

## Product Features

- Single-axis finger operated, forward and backward directional operated.
- Spring return.
- The appearance of small, easy to install.
- Un-contact hall effect sensor.
- Various output voltage range optional.



## Application

Typical apply on remote control unit, off-highway vehicle and industrial panel control

## Technical Information

### Electrical data

Power supply	5.0 ± 0.5Vdc (standard voltage)
Power supply	9-36Vdc (wide voltage)
Power supply current	<9mA; 18mA (redundant hall)
Maximum allowance overload voltage	30Vdc
Reverse polarity voltage(max)	-10Vdc
Load resistance	>10K Ω
Resistance tolerance	2.5 ± 0.1V
Output linearity tolerance	< ± 2%

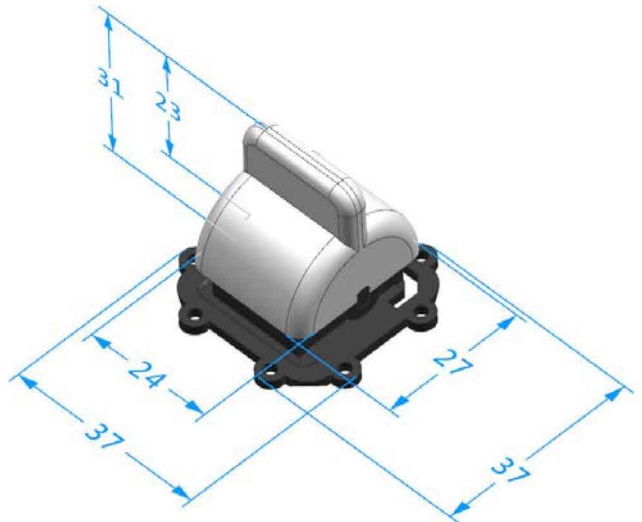
### Mechanical features

Travel angle	About ± 30°
Operating type	Spring return
Breakout force	1.3N
Operating force(max)	3N
Maximum allowable force	>30N
Expecting life	>2 million cycles
Weight	45g

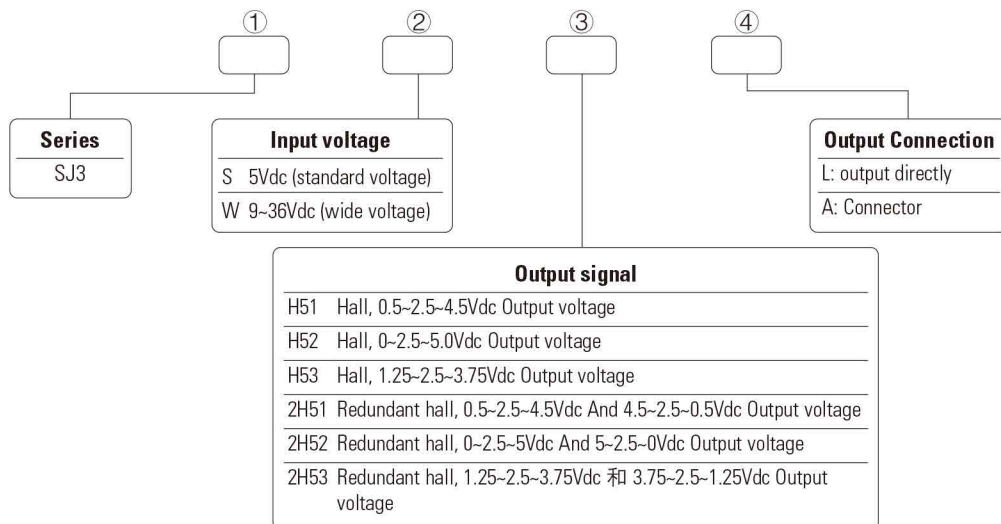
### Environmental data

Operating Temperature	-30°C~+70°C
Storage Temperature	-40°C~+85°C
Protection level	IP65 (Only for electronic part)

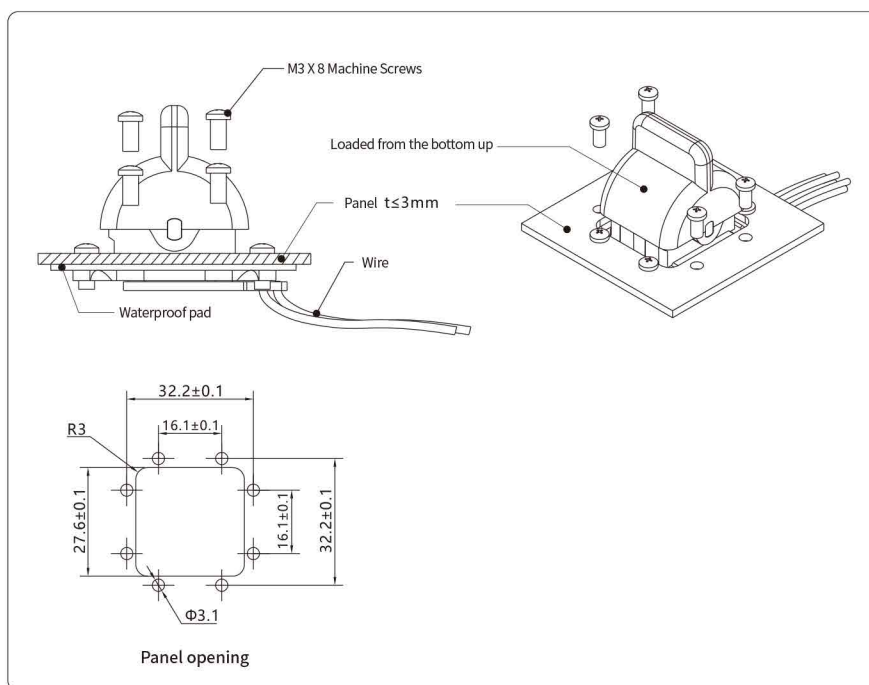
## Dimensions



## Product Configuration



## Product Installation



## Electrical Connections

### Wire definitions

Number	Function	Color
1	VCC	Red
2	GND	Black
3	Aout	Yellow
4	Bout	Green