

# SFJ100 Series Single Axis Joystick

## Product Features

- Ergonomic design, comfortable grip, strong and durable.
- Single-axis finger operated, forward and backward directional operated.
- Small size and more joysticks could be installed and operated side by side.

## Application

Typical apply on remote control unit, off-highway vehicle and industrial panel control.



## Technical Information

### Electrical data

Power supply	$5 \pm 0.5\text{Vdc}$
Max Current	22MA
Maximum allowable overload voltage	20Vdc
Reverse maximum allowable voltage	-10Vdc
Load resistance	10 k $\Omega$
Center voltage	$2.5\text{V} \pm 0.1\text{V}$
Output linearity tolerance	$< \pm 3\%$

### Mechanical features

Travel angle	$\pm 20^\circ$
Operating type	Spring return
Operating force(max)	150 ~ 200N
Expecting life	> 1 million
Weight	48 $\pm$ 5克
Operating force	5-8N

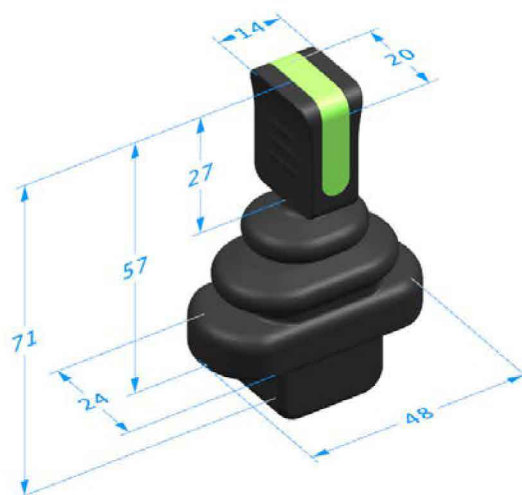
### Environmental data

Operating Temperature	-30 $^\circ\text{C}$ ~+70 $^\circ\text{C}$
Storage Temperature	-40 $^\circ\text{C}$ ~+85 $^\circ\text{C}$
Protection level	IP68

## Interface Information

- 0.2mm<sup>2</sup> high temperature wire line (color is optional);
- Generally output line directly without connector (connector is optional if request);
- Handle color can be customized;
- Negotiate in advance if has special requirements.

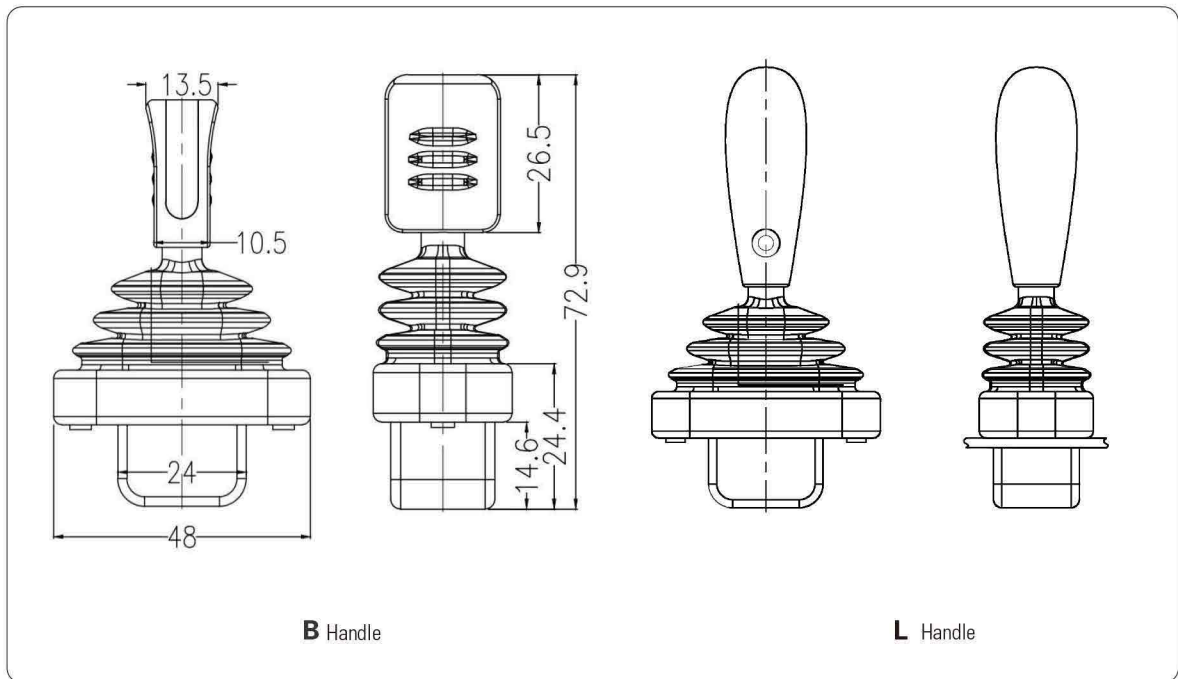
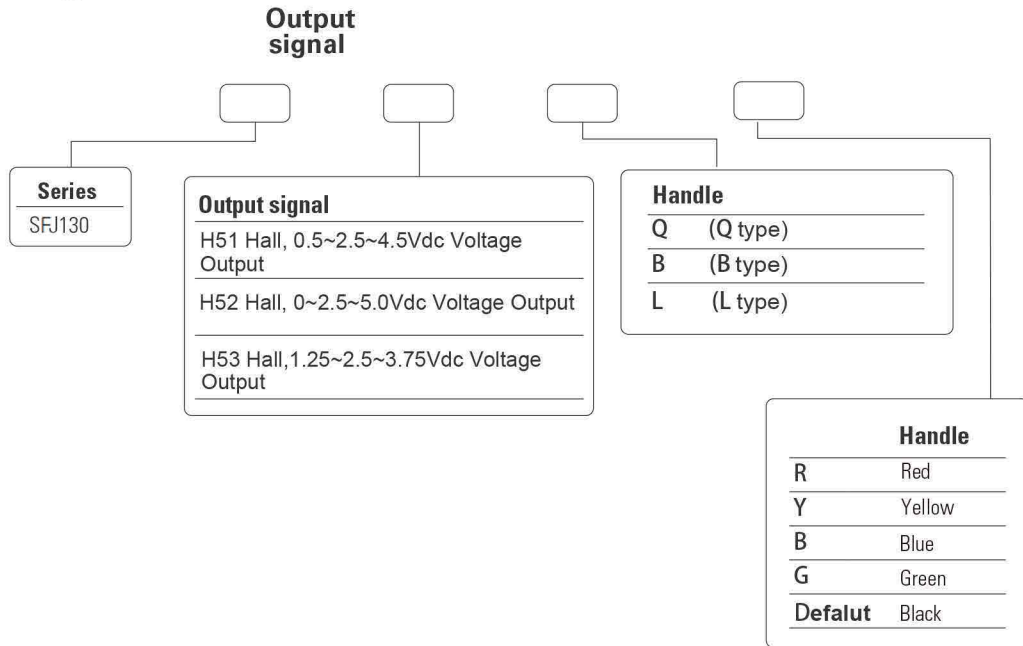
## Dimensions



## Electrical Connections

Color	Function
Black	GND
Red	5V
Yellow	Output

## Product Configuration



## Electrical Connections

Color	Function
Black	GND
Red	5V
Yellow	Output