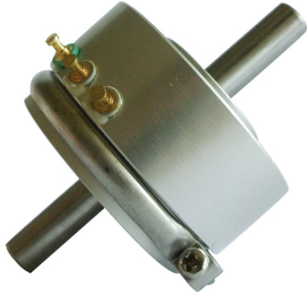


WDD35D4-DOX

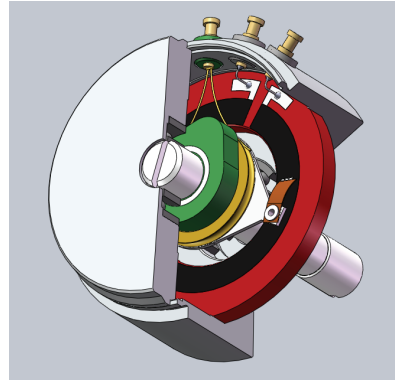
(原型号为：WDD35D4A)

WDD35系列

产品实物图 (Product)



内部结构图 (Basic Construction)

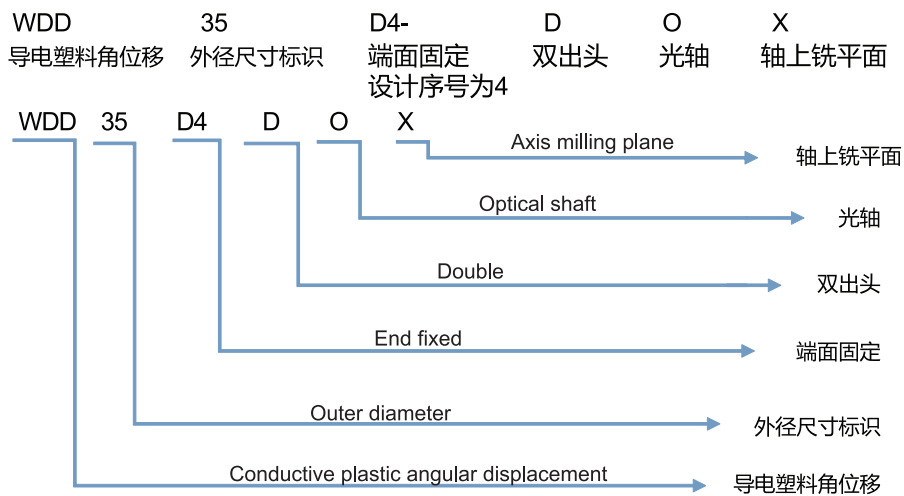


特征(Features)

- 线性精度高
- 机械寿命长
- 分辨率高
- 动态噪声小
- 安装方便可靠

- Precision linearity
- Long mechanical life
- High resolution
- Small dynamic noise
- Convenient and reliable installation

选型(Part number designation)



WDD35D4-DOX

(原型号为：WDD35D4A)

参数(Specification)

● 电气性能 Electrical Properties

标准阻值 Standard Resistance	1KΩ~10KΩ
阻值公差 Resistance Tolerance	±15% (标准级standard) ±1% (精密级precision)
独立线性度 Independent Linearity	±1% (标准级standard) ±0.1% (精密级precision)
理论电气转角 Electrical Travel	345°±2°(角度可定制 special angle is available)
额定功率 Power Rating	2W (70°C)
电阻温度系数 Resist. Temperature Coefficient	±400p.p.m./°C
绝缘电阻 Insulation Resistance	≥1000MΩ (500VDC)
绝缘耐压 Dielectric Strength	1000V (AC.RMS)1min
输出平滑性 Output Smoothness	≤±0.10%
分辨率 Resolution	无限infinite

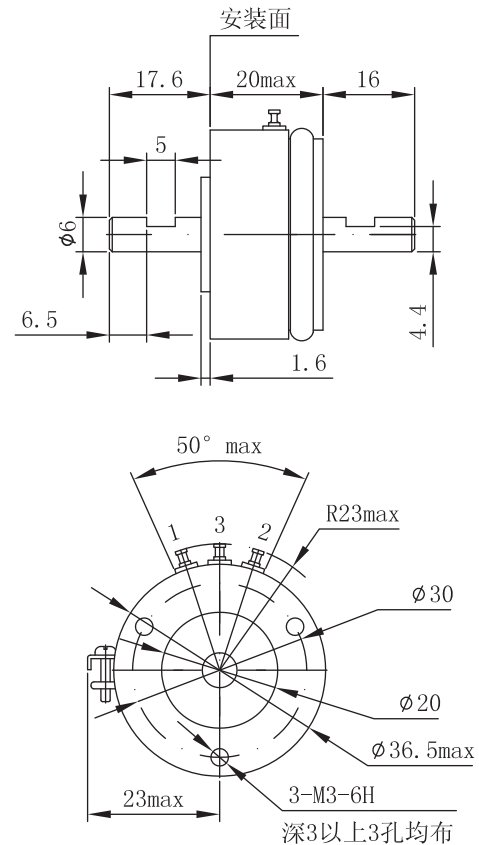
● 机械性能 Mechanical Properties

机械转角 Mechanical Travel	360° (连续 endless)
启动力矩 Starting Torque	≤10*10 ⁻⁴ N.M

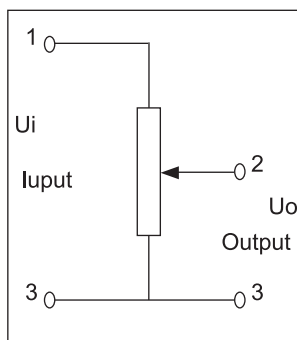
● 环境特性 Environment Characteristics

机械寿命 Life Expectancy	50*10 ⁶ 周
使用环境 Operating Temperature	-55°C~+125°C
振动 Vibration	15G 2000Hz
冲击 Shock	50G 11ms

尺寸图(Installation Size)



电路图(Output circuitry)



1, 3 terminal is connected with the input
2, connected with the output