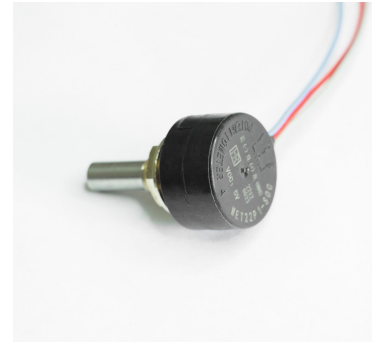




WET22P1-SOC (316°)

Character

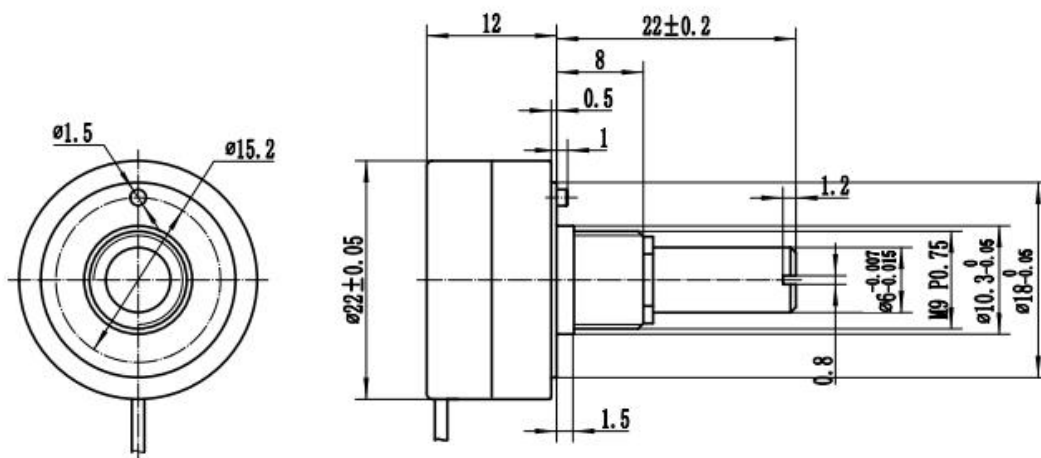
- Non-contact digital potentiometer
- High precision, long life
- Any electrical Angle choice, customized for you
- Cable discharge mode: Side cable discharge



Electrical connection

Outgoing terminal name	Exit connection
Red (+)	Power +: 5VDC
Blue (-)	Power -: 0VDC
Gray (OUT)	Voltage output terminal: 0-5VDC

Dimensions

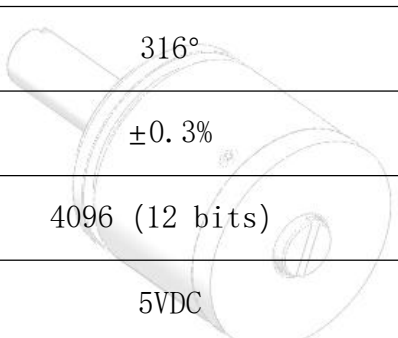




■General parameter

Mechanical Travel	360° (endless)	Life Expectancy	Theoretical infinite
Operating Temperature	-40°C~+125°C	Rotational speed RS	<30000RPM
Storage temperature	-40°C~+125°C	Shell	PPO
Running torque	<5mN·m	Shaft	Stainless iron

■Electrical parameter

Electrical Travel	
Independent Linearity	
Resolution	
Operating voltage	
Output signal	
Max operating current	
Initial terminal output deviation	
Load resistance	

■Optional Features

Electrical part	Output range	Standard output 0~100% (customizable)
	Output direction	The standard is clockwise signal output, but it can also be set to counterclockwise signal output
	Other output	Current such as :4~20mA output, PWM output...



	modes	
	Special shaft	Special shaft length, special shaft diameter, or special machining on the shaft can be done according to customer requirements

