

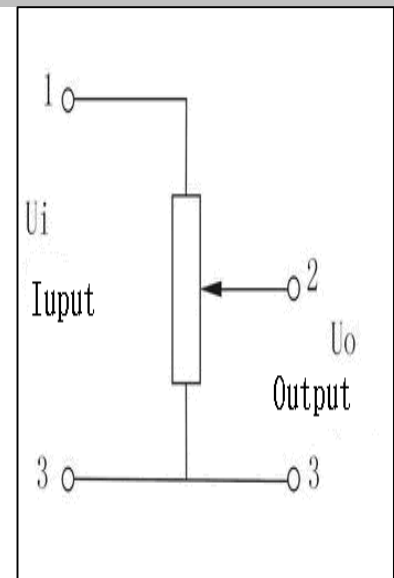
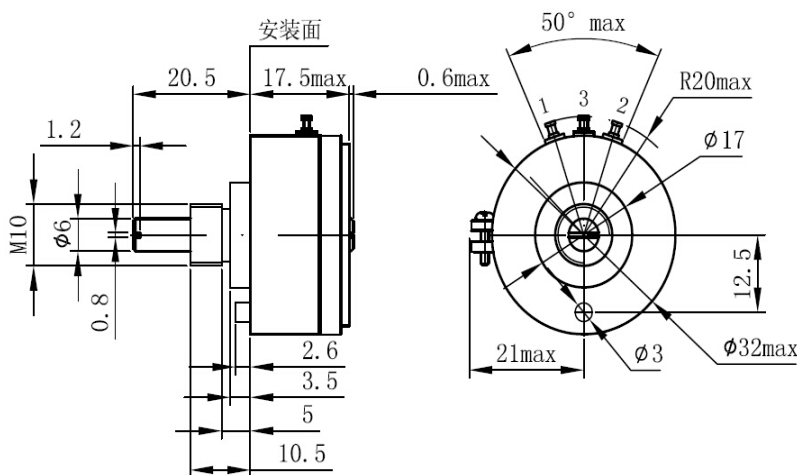
## MODEL:WDD32Z



### Feature:

- Precision linear
- Long mechanical life
- High resolution
- Small dynamic noise
- Convenient and reliable installation

## Standard Dimensions



## General Specifications

### Electrical

Standard Resistance	1KΩ、2KΩ、3KΩ、5KΩ、10KΩ
resistance	±15%
Tolerance	
Independent	0.1%、0.2%、0.3%、0.5%、1%
Linearity	
Electrical Travel	300°±2°
Power Rating	2W (70℃)
Resist.Temperature	≤±0.04%/℃
Coefficient	
Insulation	≥1000MΩ (500VD.C)
Resistance	
Dielectric Stregth	1000V (AC.RMS)1min
Output Smoothness	≤±0.1%

### Mechanical

Mechanical Travel	360° (endless)
Starting Torque	≤10*10 <sup>-4</sup> N.M

### Environmental

Life Expectancy	50*10 <sup>6</sup> cycle
Operating	
Temperature	-55℃~+125℃
Vibration	15G 2000Hz
Shock	50G 11ms

## Special Specifications Available

Shaft Length,Diameter,stopper,special electrical travel,Special machining on the shaft.